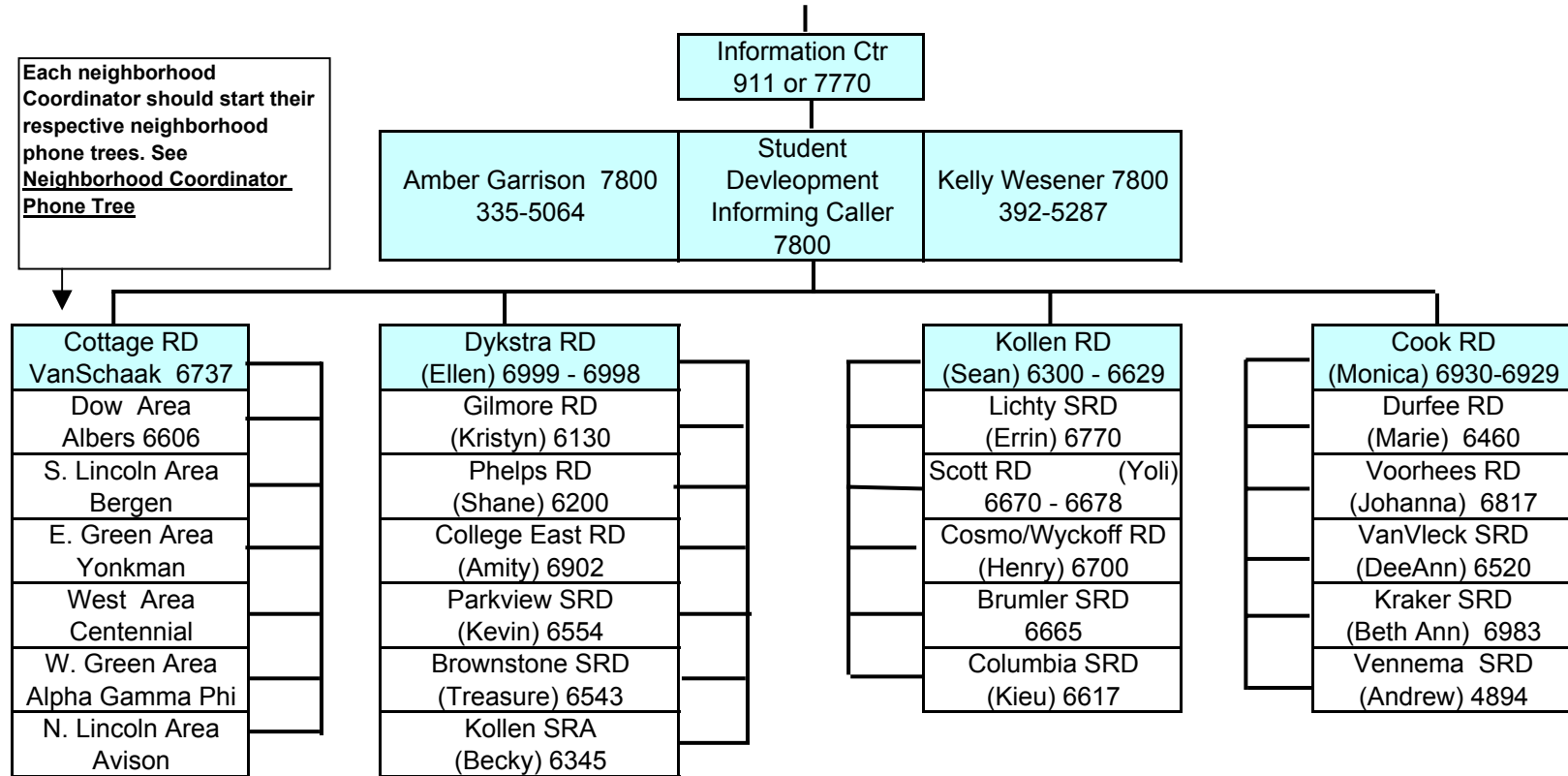


B

Residential Life Emergency Phone Tree

See Emergency Phone Tree A

Each neighborhood Coordinator should start their respective neighborhood phone trees. See Neighborhood Coordinator Phone Tree



Once the phone tree is initiated the person called must call the resident below their name. If the caller cannot reach anyone at the residence they should leave a message on the answering machine and go to the next residence on the list. **Do Not Stop Calling Until You Actually Speak To Someone On The List!**